



layslide 2.4
moveart playsculptures®





Playsculpture layslide 2.4

«layslide 2.4» offers many possibilities for sliding, climbing and playing. Thanks to its special shape, the play sculpture is tremendously appealing and intriguing for children. All the while, adults will also find a cosy place to lounge and relax.

Design:

All objects originate from a single form – the so-called double helix, the form of the DNA strands of all living things. They thus have an energising and harmonising effect on people and the environment.

Material:

All products are constructed using 100% ecological and sustainable Accoya wood, and have a minimum outdoor life span of 25 years. They are low-maintenance and resistant to vandalism.

Safety:

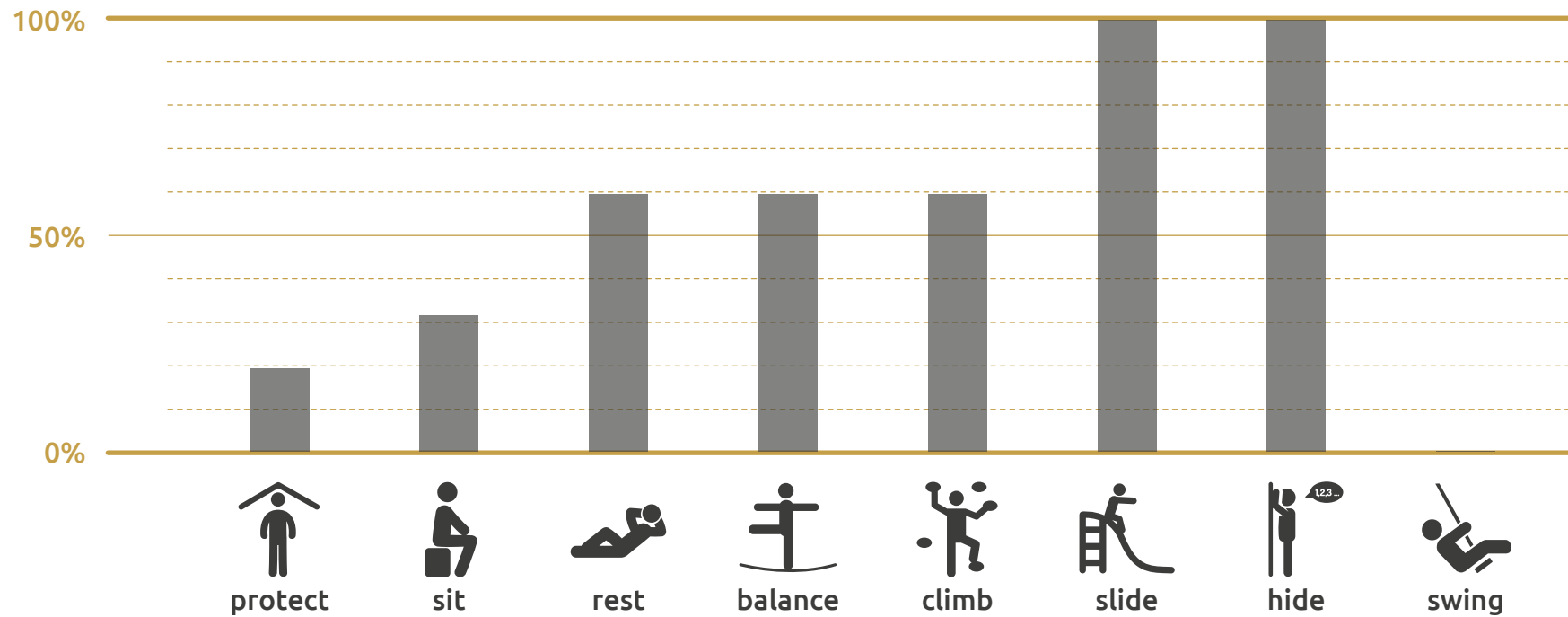
All objects are manufactured according to European safety standards for playground equipment SN EN 1176.

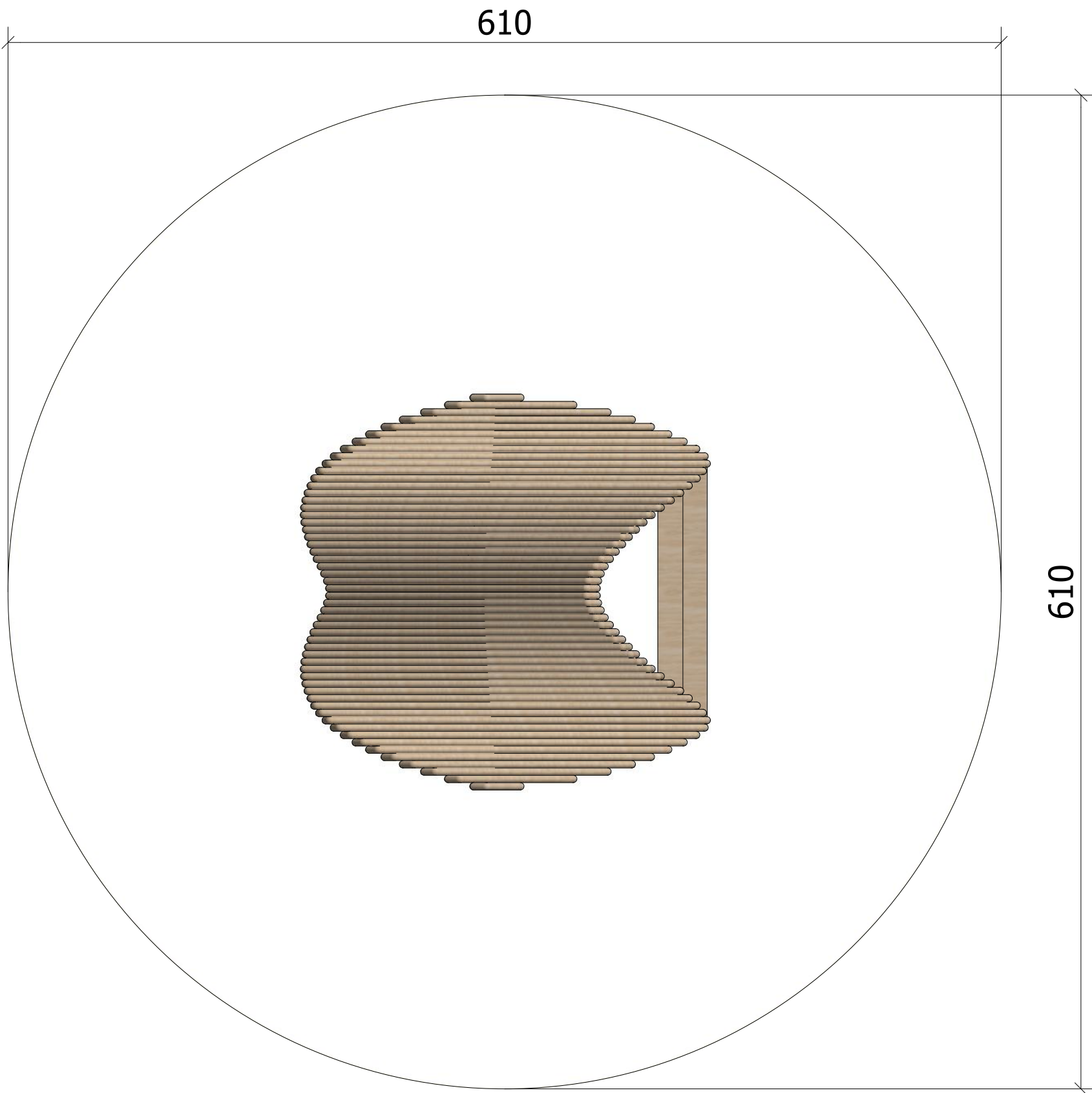
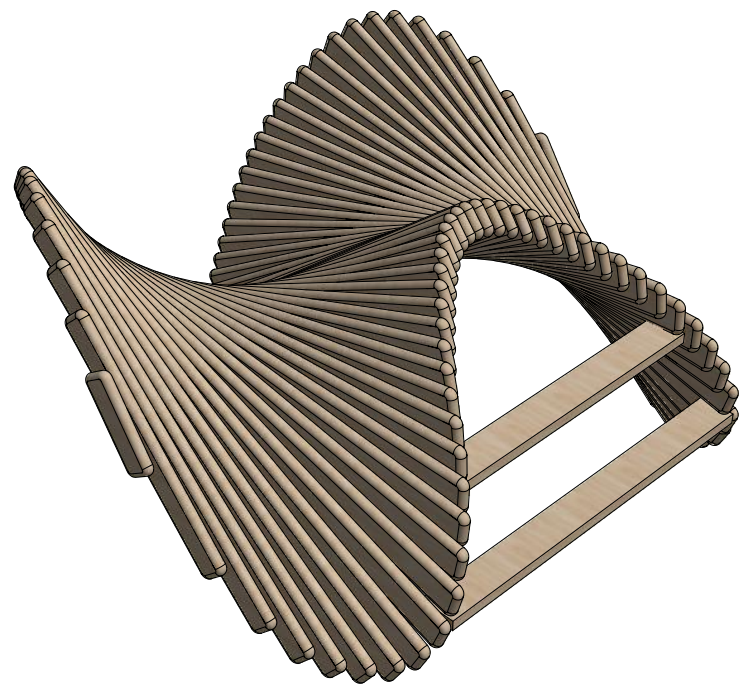
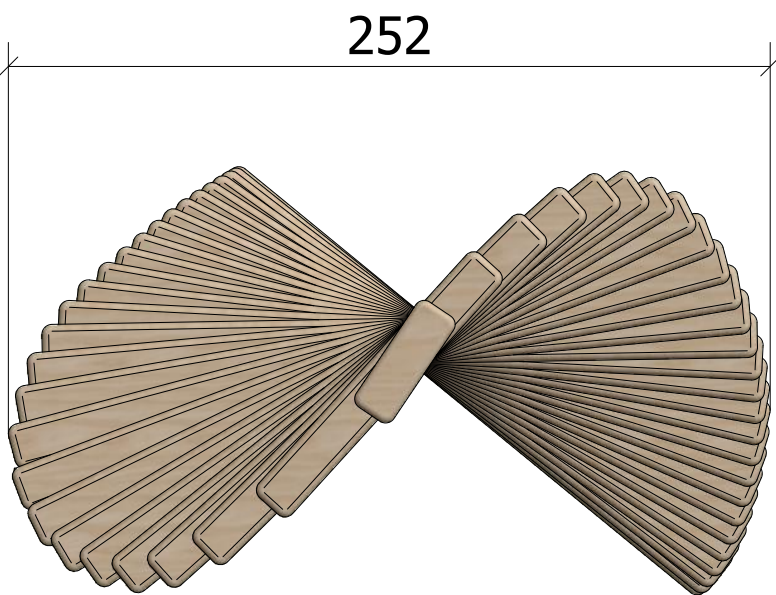
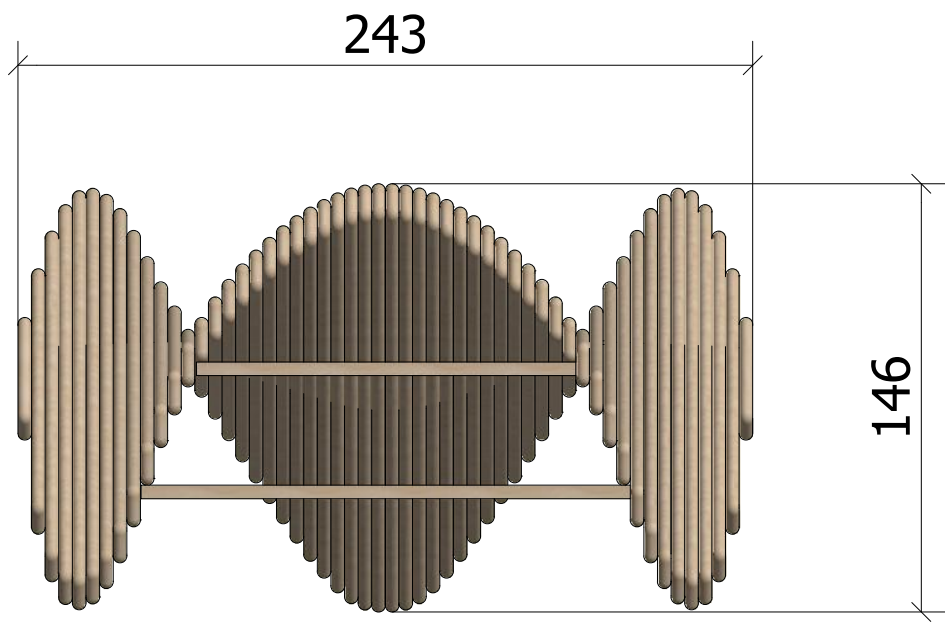
Tech. Specifications:

Length: 243 cm
Width: 252 cm
Height: 146 cm
Weight: 450 kg
Critical fall height: 146 cm
Number of foundations: 3
Construction time (approx.):
3 pers. à 2 hrs.
Crane required



THE HUMAN IGNITION PROFILE (HIP)





move art

moveART GmbH

Zürcherstrasse 8
CH-4143 Dornach

T +41 76 792 95 46

info@moveart.swiss
www.moveart.swiss