

# Instructions for wear checks of play equipment

The equipment must be checked for correct operation and safety, especially the points listed below:

Proof of maintenance

Playground.....

## Wooden parts

Date of installation .....

1. Check for rot and, if necessary, smooth out splinters and round off sharp edges of cracks.
2. Check that all bolts and screws are tight and retighten if necessary.
3. Check the ash wood rungs of the ladders for wear and tear, the remaining diameter must be at least 30 mm.
4. **Recommendation:** apply paraffin wax to the upper end grain areas once a year, please refer to Order No. 0.90100, 1 litre.
5. Check steering wheel of function and firm seated, retighten if necessary.

Checks depend on the type of equipment. Any equipment with moving parts must be checked at least twice a year, static equipment at least once a year.

Intervals for maintenance work and checks generally depend on


- location
- usage
- frequency of use
- possible vandalism

For more details see also our general instructions for maintenance of playgrounds!

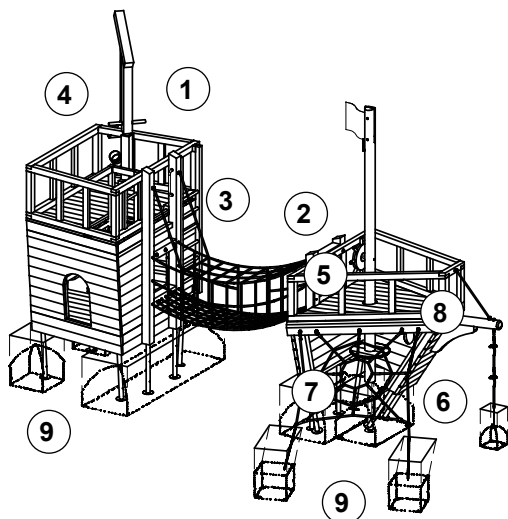
## Climbing Net

Fishing Boat  
Order No. 8.02050

6. Check connection to wood, if necessary retighten screws/bolts.
7. Check plastic sleeves of the rope and net elements for wear and tear; replace any elements whose inner steel strands are damaged.
8. Ensure that rope and net elements are securely connected and check connection points for damage.



**Attention**  
The maintenance intervals must be strictly adhered to!



## Structural stability

9. In order to check steel feet for corrosion, uncover the foundations once a year.

Special notes, e.g. for repairs

Repair not carried out, it is still possible to play on equipment

Repair not carried out, equipment is taken out of action

All work carried out, everything is in order

Maintenance carried out by:

..... Date .....