

Instructions for wear checks of play equipment

The equipment must be checked for correct operation and safety, especially the points listed below:

Proof of maintenance

Playground

Date of installation

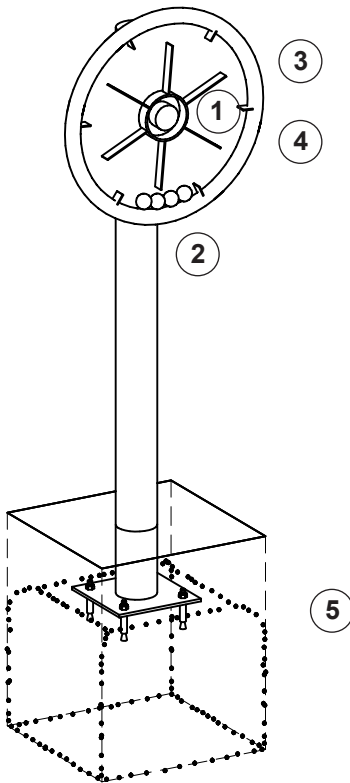
Checks depend on the type of equipment. Any equipment with moving parts must be checked at least twice a year, static equipment at least once a year.

Intervals for maintenance work and checks generally depend on

- location
- kind of use
- frequency of use
- possible vandalism

For more details see also "General instructions for maintenance of playgrounds".

Kling Klang Disc
Order No. 9.08500



Operation

1. Check that bearings move smoothly.
2. Check golf balls for wear and tear, replace if necessary.

Acrylic glass

3. Replace if it has become very cloudy.
4. Clean with commercially available dishwashing liquid or, better still, plastic cleaner (www.burnus.de), under no circumstances use spirits or turpentine!

Structural stability

5. In order to check the stability of the foundation, and for corrosion, uncover the foundation once a year.

Repair not carried out, it is still possible to play on equipment

Repair not carried out, equipment is taken out of action

All work carried out, everything is in order

Maintenance carried out by:

..... Date

Special notes, e.g. for repairs