

Instructions for wear checks of play equipment

The equipment must be checked for correct operation and safety, especially the points listed below:

Proof of maintenance

Playground.....

Date of installation

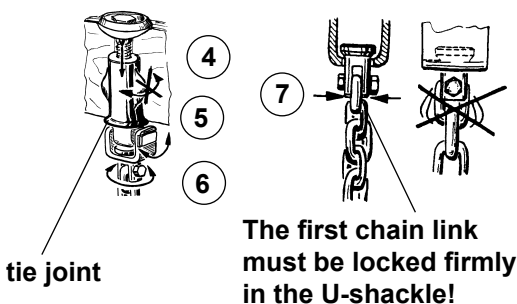
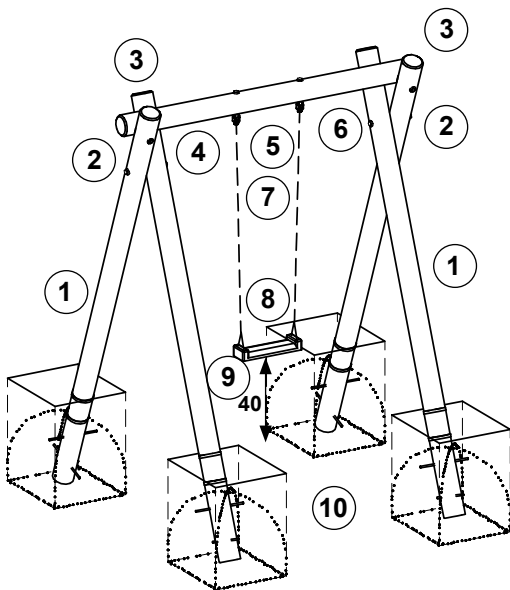
Checks depend on the type of equipment. Any equipment with moving parts must be checked at least twice a year, static equipment at least once a year.

Intervals for maintenance work and checks generally depend on

- the location
- the usage
- the frequency of use
- possible vandalism

For more details see also "General instructions for maintenance of playgrounds".

Multi-Surface Swing
Order No. 6.12600/L6.12600



Wooden parts

1. Check for rot and, if necessary, smooth out splinters and round off sharp edges of cracks.
2. Check that all bolts and screws as well as all wood joints are tight, retighten if necessary.
3. **Recommendation:** apply paraffin wax to the upper end grain areas once a year, please refer to order No. 0.90100, 1 litre.

Swing suspension

4. Make sure that the joints move smoothly.
5. Make sure that the swivels move smoothly, apply small amount of grease if required.
6. Check connection to wood, tie joint must fit closely.
7. Check chain and connections to chain, the first chain link must be locked firmly in the U-shackle; check wear on contact surfaces between first and second chain link.

Swing seat

8. Replace if metal parts are exposed.
9. Check the swing seat for a ground clearance of 40 cm.

Structural stability

10. Uncover the foundation once a year in order to check for rot or the steel feet for corrosion.

Repair not carried out, it is still possible to play on equipment

Repair not carried out, equipment is taken out of action

All work carried out, everything is in order

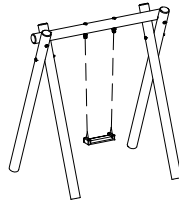
Maintenance carried out by:

..... Date

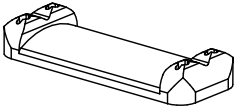
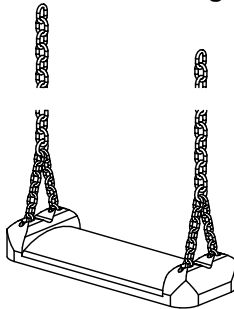
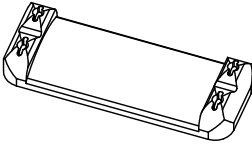
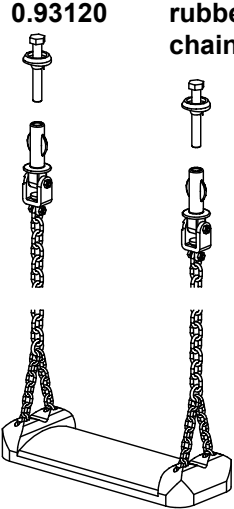
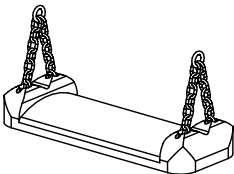



Special notes, e.g. for repairs

For spare parts refer to back of page.

Spare parts
Multi-Surface Swing
Order No. 6.12600/L6.12600



Please note that the safety standards of the equipment must not be affected. Therefore, when carrying out repairs it is helpful to **only use original parts**.

Order No. Spare part	Order No. Spare part
<p>0.93000 rubber swing seat</p> 	<p>0.93110 rubber swing seat with chains length up to 2.25 m</p> 
<p>0.93010 rubber swing seat with 4 eyebolts</p> 	<p>0.93120 rubber swing seat with chains 2.25 m and joints</p> 
<p>0.93020 rubber swing seat with 2 V-chains</p> 	<p>0.93130 swing with swivel</p> 
<p>0.93021 V-chain</p> 	
<p>0.93090 U-shackle with swivel</p> 	
<p>0.93102 1 pair of chains 6 mm</p> 