

Instructions for wear checks of play equipment

The equipment must be checked for correct operation and safety, especially the points listed below:

Proof of maintenance

Playground

Date of installation

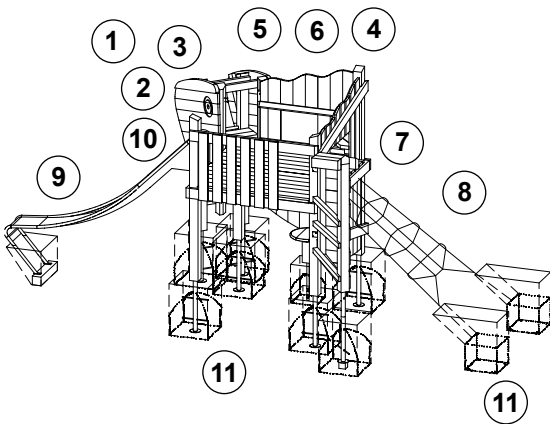
Checks depend on the type of equipment. Any equipment with moving parts must be checked at least twice a year, static equipment at least once a year.

Intervals for maintenance work and checks generally depend on

- location
- kind of use
- frequency of use
- possible vandalism

For more details see also "General instructions for maintenance of playgrounds".

Fish Berta
Order No. 4.90010



Wooden parts

1. Check for rot and, if necessary, smooth out splinters and round off sharp edges of cracks.
2. Check all bolts and screws are tight and retighten if necessary.
3. If required, touch up or renew the paintwork using a solvent-free acrylic paint.
4. **Recommendation:** Apply paraffin wax to the upper end grain areas once a year, please refer to order No. 0.90100, 1 litre.
5. Check the ash wood rungs of the ladders for wear and tear, the remaining diameter must be at least 30 mm.
6. Check that all climbing grips are tight and retighten if necessary; replace if worn.

Climbing net

7. Check that connection points are tight and retighten if necessary.
8. Check the net for wear and tear, if the steel reinforcement is damaged it is imperative it be replaced.

Slide

9. Check the slide surface for vandalism.
10. Check that the bolts and screws on the platform are tight and retighten if necessary.

Structural stability

11. In order to check the steel feet for corrosion, uncover the foundation once a year. If necessary re-tension the net at the bottom ends, check the connections to the anchoring chain.

Special notes, e.g. for repairs

Repair not carried out, it is still possible to play on equipment

Repair not carried out, equipment is taken out of action

All work carried out, everything is in order

Maintenance carried out by:

..... Date