

Instructions for wear checks of play equipment

The equipment must be checked for correct operation and safety, especially the points listed below:

Proof of maintenance

Playground.....

Date of installation

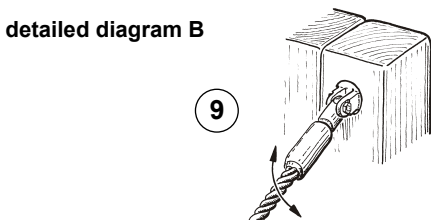
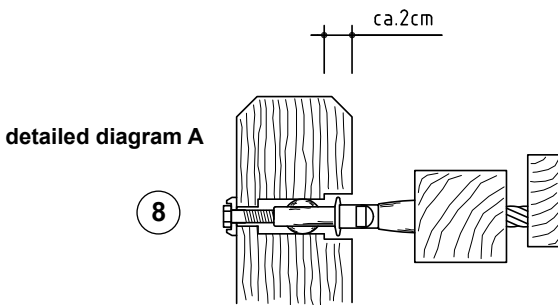
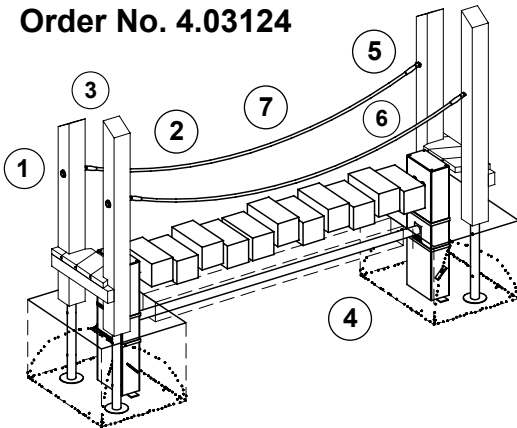
Checks depend on the type of equipment. Any equipment with moving parts must be checked at least twice a year, static equipment at least once a year.

Intervals for maintenance work and checks generally depend on

- location
- usage
- frequency of use
- possible vandalism

For more details see also "General instructions for maintenance of playgrounds".

Balance Blocks with Hand Rope for Totter Trail
Order No. 4.03124



Wooden parts

1. Check for rot and, if necessary, smooth out splinters and round off sharp edges and cracks
2. Check that all bolts and screws as well wood joints are tight, retighten if necessary
3. **Recommendation:** apply paraffin wax to the end grain areas once a year, especially near the ground; please refer to Order No. 0.90100, 1 litre

Structural stability

4. Uncover the foundations once a year in order to check for corrosion

Rope Connections

5. Check that all bolts and screws are tight, retighten if necessary
6. Check the connection to the wood of the attachment, the hinge collar must fit

Rope

7. Check for wear; if the steel core is damaged, replace the hand rope
8. Check fastening on the stand frames, retighten if necessary, there is a retightening possibility of approx. 2 cm (**see detailed diagram A**)
9. Check suspension rope joint for wear and ease of movement (**see detailed diagram B**)

Special notes, e.g. for repairs

Repair not carried out, it is still possible to play on equipment

Repair not carried out, equipment is taken out of action

All work carried out, everything is in order

Maintenance carried out by:

..... Date