

Instructions for wear checks of play equipment

The equipment must be checked for correct operation and safety, especially the points listed below:

Proof of maintenance

Playground

Date of installation

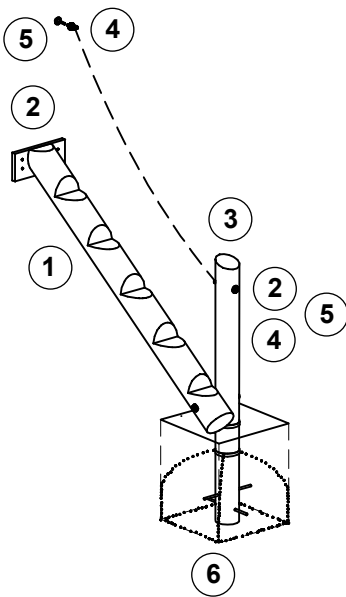
Checks depend on the type of equipment. Any equipment with moving parts must be checked at least twice a year, static equipment at least once a year.

Intervals for maintenance work and checks generally depend on

- location
- kind of use
- frequency of use
- possible vandalism

For more details see also "General instructions for maintenance of playgrounds".

Climbing Trunk with single handrail
Order No. 3.69510/3.69501/3.69511



Wooden parts

1. Check for rot and, if necessary, smooth out splinters and round off sharp edges of cracks.
2. Check all screw and bolt connections and at the stand post for firmness, tighten if necessary
3. **Recommendation:** Apply paraffin wax to the upper end grain area once a year, please refer to Order No. 0.90100, 1 litre.

Connection

4. Check the connections of the handrail chain to the wood both at the base equipment and the stand post for firmness, tighten if necessary
5. Check the handrail chain and the connections to the chain, the first chain link must be securely clamped, check the wear to the adjacent moving chain link

Structural stability

6. In order to check for rot at wooden parts or steel foot for corrosion, uncover the foundation once a year.

Special notes, e.g. for repairs

Repair not carried out, it is still possible to play on equipment

Repair not carried out, equipment is taken out of action

All work carried out, everything is in order

Maintenance carried out by:

..... Date