

# Instructions for wear checks of play equipment

The equipment must be checked for correct operation and safety, especially the points listed below:

Proof of maintenance

Playground.....

Date of installation .....

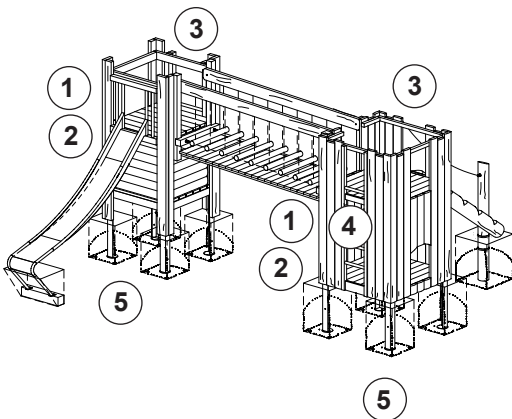
Checks depend on the type of equipment. Any equipment with moving parts must be checked at least twice a year, static equipment at least once a year.

Intervals for maintenance work and checks generally depend on

- the location
- the usage
- the frequency of use
- possible vandalism

For more details see also "General instructions for maintenance of playgrounds".

**Tower Combination 185**  
Order No. 2.18500/L2.18500



## Wooden parts

1. Check for rot and, if necessary, smooth out splinters and round off sharp edges of cracks.
2. Check that all bolts and screws are tight and retighten if necessary.
3. **Recommendation:** apply paraffin wax to the upper end grain areas once a year, please refer to Order No. 0.90100, 1 litre.
4. Check the ash wood rungs of the ladder for wear and tear, the remaining diameter must be at least 30 mm.

## Structural stability

5. In order to check for rot at wooden parts and steel feet for corrosion, uncover the foundations once a year.

## Combination equipment

Please pay attention to the **separate maintenance notes** of the following combination equipment:

Slide	3.19210
Chain Path	3.66260
Climbing Trunk	3.69510

**Note**  
Please check that all documents are included!

Special notes, e.g. for repairs

Repair not carried out, it is still possible to play on equipment

Repair not carried out, equipment is taken out of action

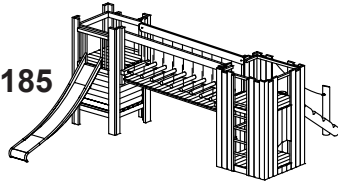
All work carried out, everything is in order

Maintenance carried out by:

For spare parts refer to back of page.

..... Date .....

**Spare Parts**  
**Tower Combination 185**  
**Order No. 2.18500/  
 L2.18500**



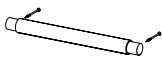
Please note that the safety standards of the equipment must not be affected. Therefore, when carrying out repairs it is helpful to **only use original parts.**

**Order No. Spare part**

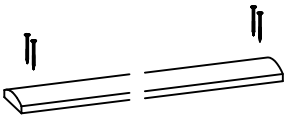
**0.92630 ladder for tower without roof  
 5 rungs**



**0.98310 single rung**

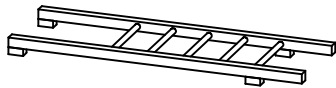


**0.30070 tower cladding, length 2.30 m  
 spruce, impregnated**

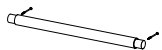


**0.30080 tower cladding, length 2.30 m  
 larch**

**0.97283 ladder for platform hut  
 5 rungs**



**0.98350 single rung**



**For further spare parts please see spare parts list!**