

Instructions for wear checks of play equipment

The equipment must be checked for correct operation and safety, especially the points listed below:

Proof of maintenance

Playground.....

Structural stability

Date of installation

In order to check for rot at wooden parts and steel feet for corrosion, uncover the foundations once a year.

Checks depend on the type of equipment. Any equipment with moving parts must be checked at least twice a year, static equipment at least once a year.

Single equipment

Intervals for maintenance work and checks generally depend on

Please pay attention to the **separate maintenance notes** of the following single equipment:

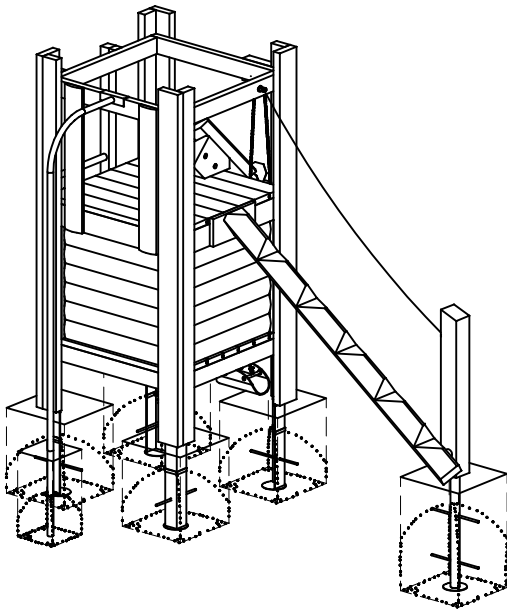
- location
- usage
- frequency of use
- possible vandalism

| | Order No. | |
|------------------------------|------------------|--------------------------|
| Platform Hut, h=0.50/1.50 m | 3.13100 | <input type="checkbox"/> |
| Sand Play Equipment | 3.19100 | <input type="checkbox"/> |
| Climbing Trunk with handrail | 3.69516 | <input type="checkbox"/> |
| Firemen's Pole | 3.69480 | <input type="checkbox"/> |

For more details see also our general instructions for maintenance of playgrounds!

Note: Please check that all documents are included!

Hut Combination 211
Order No. 2.12111



Special notes, e.g. for repairs

Repair not carried out, it is still possible to play on equipment

Repair not carried out, equipment is taken out of action

All work carried out, everything is in order

Maintenance carried out by:

..... Date