

Instructions for wear checks of play equipment

The equipment must be checked for correct operation and safety, especially the points listed below:

Proof of maintenance

Playground.....

Date of installation

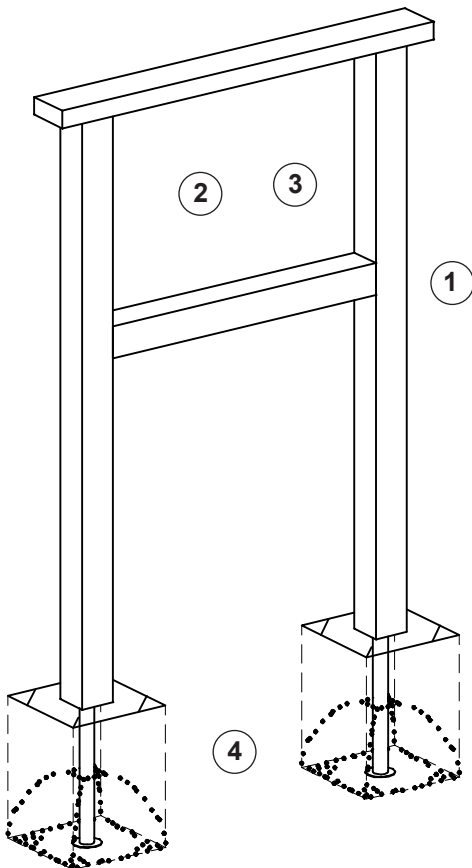
Checks depend on the type of equipment. Any equipment with moving parts must be checked at least twice a year, static equipment at least once a year.

Intervals for maintenance work and checks generally depend on

- the location
- the usage
- the frequency of use
- possible vandalism

For more details see also "General instructions for maintenance of playgrounds".

Training the Mind
Order No. 11.50300



Wooden parts

1. Check for rot and, if necessary, smooth out splinters and round off sharp edges of cracks.

Acrylic glass

2. Check for damage and replace if necessary.
3. If screen is soiled, clean using regular dishwashing liquid and clean cloth; do **NOT** use spirits or turpentine!

Structural stability

4. Uncover the foundation once a year in order to check for corrosion.

Special notes, e.g. for repairs

Repair not carried out, it is still possible to play on equipment

Repair not carried out, equipment is taken out of action

All work carried out, everything is in order

Maintenance carried out by:

..... Date