

# Instructions for wear checks of play equipment

The equipment must be checked for correct operation, especially the points listed below:

Proof of maintenance

Playground.....

Date of installation .....

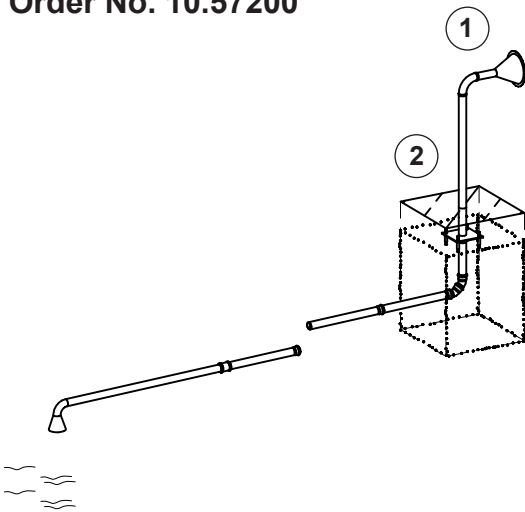
Checks depend on the type of equipment. Any equipment with moving parts must be checked at least twice a year, static equipment at least once a year.

Intervals for maintenance work and checks generally depend on

- the location
- the usage
- the frequency of use
- possible vandalism

For more details see also "General instructions for maintenance of playgrounds".

Listening to Water as Column  
Order No. 10.57200



## Stainless steel

1. Clean with stainless steel spray (e. g. www.kim-tec.de) using a clean cloth.

## Structural stability

2. Check anchoring to the ground once a year

Special notes, e.g. for repairs

Repair not carried out, it is still possible to play on equipment

Repair not carried out, equipment is taken out of action

All work carried out, everything is in order

Maintenance carried out by:

..... Date .....