

Instructions for wear checks of play equipment

The equipment must be checked for correct operation and safety, especially the points listed below:

Proof of maintenance

Playground.....

Date of installation

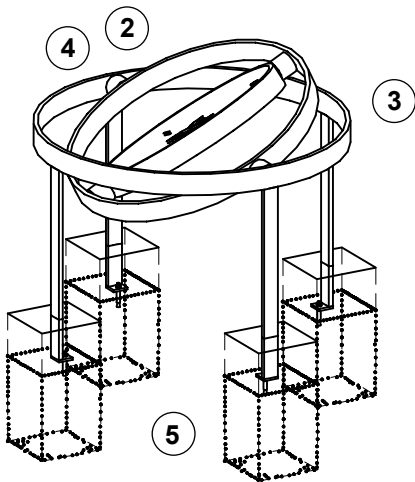
Checks depend on the type of equipment. Any equipment with moving parts must be checked at least twice a year, static equipment at least once a year.

Intervals for maintenance work and checks generally depend on

- the location
- the usage
- the frequency of use
- possible vandalism

For more details see also "General instructions for maintenance of playgrounds".

Pattern Disc
Order No. 10.15100



The board must be moved vigorously at regular intervals. Otherwise deposits from the liquid may result in permanent clouding of the pane.

Bearing

1. Maintenance free

Filling

2. Move the board vigorously on a regular basis in order to dissolve any deposits that may begin to form.

Stainless steel

3. Clean with stainless steel spray (www.kim-tec.de) using a clean cloth.

Acrylic glass/macrolon

4. Clean with commercially available dishwashing liquid or, better still, plastic cleaner (www.burnus.de), under no circumstances use spirits or turpentine!

Structural stability

5. In order to check the stability of the floor fastening, uncover the foundation once a year.

Repair not carried out, it is still possible to play on equipment

Repair not carried out, equipment is taken out of action

All work carried out, everything is in order

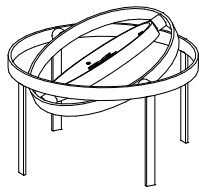
Maintenance carried out by:

..... Date

For spare parts refer to back of page.

Special notes, e.g. for repairs

Spare Parts
Pattern Disc
Order No. 10.15100



Please note that the safety standards of the equipment must not be affected. Therefore, when carrying out repairs it is helpful to **only use original parts**.

Order No. Spare part

10.99917 pattern disc

