

Play value

The Cableway is a mobile piece of equipment which is enjoyed by many age groups. The feeling of speed, riding and whizzing from one station to the other affords great pleasure for younger and older children alike. Depending on age and experience, it is also possible for two to ride together at the same time. The way the cable is suspended between the two ends enables acceleration without the need for a run-up or pushing, and the shape of the gate enables riding to the end. In this equipment, the inclination of the cable slows down the ride. The agreeably designed wooden stations are an eye-catcher with high attraction.



Photo © Daniel Perales



Special version with square timber, Photo © Tristan Filippone

Fundamental characteristics

- The special construction of the valley station enables riding to the end
- Quiet travelling crab
- Easy tensioning adjustment of the cable by one person
- Attractive, sturdy wooden construction
- Incentive for playing: wooden stations, long cable
- Movement: holding on to, being carried, riding

Recommended for

- School children
- Supervised play areas, such as schools, after-school programmes or similar
- Public play areas without supervision, such as playgrounds, parks or similar
- Swimming pools without supervision

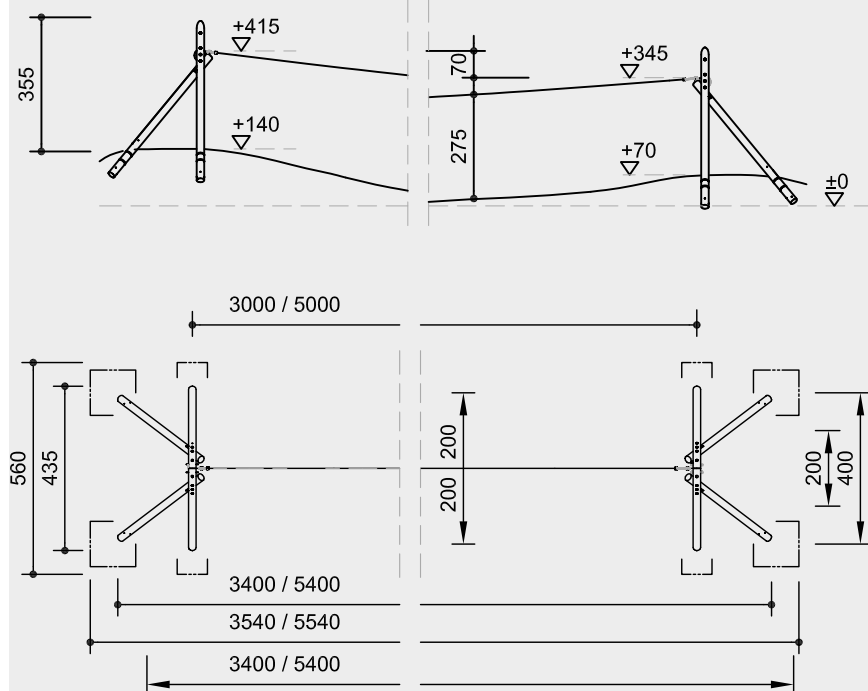
Large Gated Cableway up to 30 m
Large Gated Cableway up to 50 m



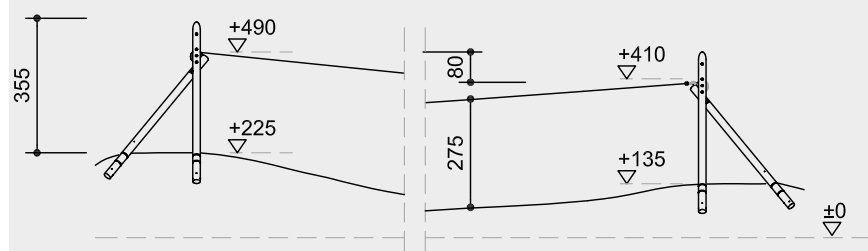
L6.01100 / L6.02100

Order No. L6.01100
Large Gated Cableway up to 30 m

Safety distance 
 Device dimensions 
 Functional distance 



Order No. L6.02100
Large Gated Cableway up to 50 m



Scale 1:200

Safety check according to DIN EN 1176

Components

- 1 Mountain station with steel feet
- 1 Valley station with steel feet
- 1 Carrying cable with 2 stopper gear sets
- 1 Travelling crab with pendulum seat
- 1 Tube for tensioning

Installation information

Surfacing requirements corresponding to a fall height of ≤ 1.00 m (please refer to price list for more detailed information)

Foundations
 4 items 120 x 120 x 50 cm
 Excavation depth 70 cm
 4 items 80 x 80 x 50 cm
 Excavation depth 70 cm

Attention:
Exact measurements may vary;
for all installation dimensions refer
to current assembly instructions.
 Technical changes reserved.



L6.01100 / L6.02100

Technical information

Equipment made of mountain larch

Peeled white

Palisades peeled white means that bark, cambium and sapwood are removed, the natural shape of the trunk is preserved and can be experienced



Pendulum seat

Pendulum seat with a large rubber surface. Soft, protective edge and steel insert



Swing joint

Drop-forged, hot-dip galvanised swing joint with sintered bush and integrated swivel



Interlocking

Interlocking connection, with milled metal rings or serrated disc dowels, to reinforce the bolt connection under high loads transverse to the grain direction of the wood



Sintered bush

For all reciprocating movements we use sintered plain bearings which are self-lubricating in use and can easily be exchanged if necessary



Large gated cableway

The large gated cableway covers the required safety distances. The cableway carriage comes to a smooth stop due to the difference in height of the gates and the cable slack



Tensioning device

Tensioning device enables one person to release and re-tension. Large winch radius and anti-kink function protect the rope



Cableway carriage

Our cableway carriage is designed as a sandwich construction. The „encapsulated“ running mechanism ensures quiet operation. The installation of the carriage is possible without dismantling the rope



Special steel cable

High density steel cable made of high-strength and hot-dip galvanized wire. Stable in length, durable and allows a smooth ride of the cableway carriage



Ground anchor

All parts used for anchoring to the ground are made of hot-dip galvanized steel or stainless steel



Chains

Chains made of hot-dip galvanized steel (1.4301 / 1.4571 at extra charge) welded before galvanising, short-linked, without eyelets on the connecting parts, easy to exchange and shorten



For more detailed explanation of the quality characteristics see price list.

Dimensions

(small deviations possible)

Order No. L6.01100 / L6.02100

Height	3.55 m
Length	34 / 54 m
Width	4.35 m
Cable height	2.75 m
Cable length	30 / 50 m
Weight	720 kg