

Play value

The Swinging Table is a closed hollow body suspended on chains. It invites one to sit down without immediately revealing its "secret". Only after sitting down, one recognizes a peculiar swinging of the table. One can feel the movement of the water inside the table which reacts in resonance to one's own movement. There is an interplay between the perception and action of the people and the response of the water. It is great fun to experience the unexpected movements of the table together with others. The Swinging Table is a nice offer for pedestrian zones.



Swinging Table for Water Filling

Fundamental characteristics

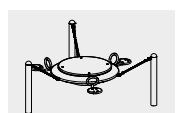
- Agreeable design
- Unique and original
- Feeling of the movement of the water inside the table
- Incentive for playing: peculiar seating
- Movement: swinging

Recommended for

- School children
- Young people
- Public play areas without supervision, such as playgrounds, parks or similar

© Richter Spielgeräte GmbH 06/22

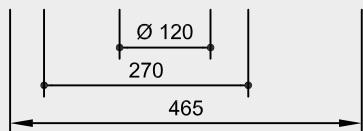
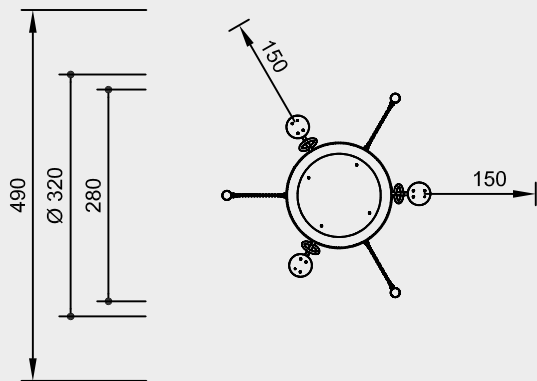
Design M. Rohrbach



9.55000

Order No. 9.55000
Swinging Table for Water Filling

Safety distance →
 Device dimensions —●—
 Functional distance —|—



Scale 1:100

Safety check according to DIN EN 1176

Components

- 1 Swinging table with 3 connecting chains
- 3 Support posts
- 1 Canister antifreeze

Installation information

Surfacing requirements corresponding to a fall height of ≤ 1.00 m (please refer to price list for more detailed information)

Foundations
 3 items 60 x 80 x 60 cm
 Excavation depth 80 cm

Attention:
Exact measurements may vary;
for all installation dimensions refer to current assembly instructions.
 Technical changes reserved.

Technical information

Equipment made of stainless steel, glass bead blasted

Plywood

Plywood made of mountain larch, three-layer (3 cm) or five-layer (4 cm). High dimensional stability, waterproof, glued according to DIN EN 13353:2011



Universal joint

Drop-forged, hot-dip galvanised universal joint, consists of two sintered bushes, for free swinging in any direction



Sintered bush

For all reciprocating movements we use sintered plain bearings which are self-lubricating in use and can easily be exchanged if necessary



Ground anchor

All parts used for anchoring to the ground are made of hot-dip galvanised steel or stainless steel



Chains

Chains made of hot-dip galvanised steel (1.4301 / 1.4571 at extra charge) welded before galvanising, short-linked, without eyelets on the connecting parts, easy to exchange and shorten

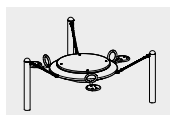


For more detailed explanation of the quality characteristics see price list.

Dimensions

(small deviations possible)

Height of support posts	1.10 m
Swinging table, diameter	1.20 m
Weight without water	300 kg
Weight with water	380 kg



9.55000