

Play value

Despite its commanding size, the Ornithopter nevertheless looks light and „fit to fly“. This play installation, which is weird in the best sense, creates a very special atmosphere and evokes numerous connotations. The bird can be seen from a far and makes the place where it is installed unmistakable. Children are fascinated by this exceptional play offer. The bird starts moving as soon as a „passenger“ gets on.



Special version, Photo © Daniel Perales

Fundamental characteristics

- Unique and original
- The body of the bird is swinging
- The soft movement is determined by the dimensions of the parts of the body (long pendulums)
- Incentive for playing: bird shape, role-playing games
- Movement: swinging, physical effort, climbing

Recommended for

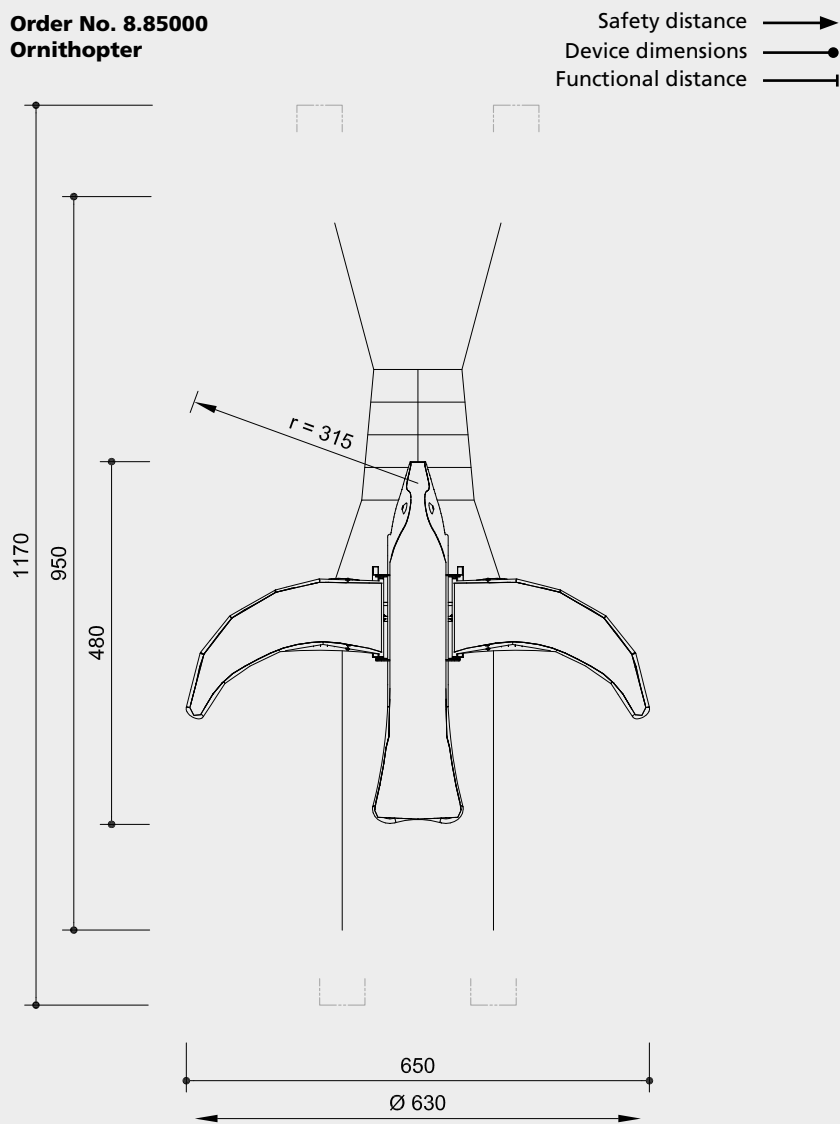
- School children
- Young people
- Public play areas without supervision, such as playgrounds, parks or similar
- Leisure parks

Ornithopter



8.85000

Order No. 8.85000
Ornithopter



Scale 1:100

Safety check according to DIN EN 1176

Components

- 1 Complete unit with guy ropes and climbing net
- 1 Supporting frame for setting into concrete

Installation information

Surfacing requirements corresponding to a fall height of ≤ 2.00 m (please refer to price list for more detailed information)

Foundations
1 item 180 x 180 x 80 cm
Excavation depth 120 cm
(To be steel-reinforced on site)
4 items 60 x 70 x 40 cm
Excavation depth 80 cm

Attention:
Exact measurements may vary, for all installation dimensions refer to current installation instructions.
Technical changes reserved.

Technical information

Equipment made of stainless steel, glass bead blasted

Richter Hercules type rope

Richter Hercules type rope, a combination of galvanised six-strand steel cables and polyester yarn, diameter > 20 mm, laid and glued with very good abrasion resistance, strong sheathing even in the case of damage by puncturing



Aluminium rope pressing

Aluminium rope pressing, cylindrically pressed, with rounded ends



S-connectors

S-connectors $\varnothing 8.1$ mm, made of high-quality stainless steel, rounded



Rotating rope connection

Rotatable fitting without dangerous openings, with sintered bush with integrated swivel to ensure the rope untwists



Sintered bush

For all reciprocating movements we use sintered plain bearings which are self-lubricating in use and can easily be exchanged if necessary



Ground anchor

All parts used for anchoring to the ground are made of hot-dip galvanised steel or stainless steel



Roller bearings

Roller bearings made of stainless steel for rotating elements, easy to maintain and exchange, sealed



For more detailed explanation of the quality characteristics see price list.

Safety ropes with shock absorbers

Dimensions

(small deviations possible)

Max. height	4.00 m
Sitting height	2.00 m
Length	9.50 m
Width	6.50 m
Weight	860 kg



8.85000