

Play value

The large Nile Galley is based on an ancient Egyptian Pharaoh barque. The aesthetically pleasing play sculpture not only conceals a whole range of play offers but its specially shaped design makes it uniquely memorable and contributes to the identity of a play space. To be able to slip into the role of pirate, captain, helmsperson or sailor is fun for both younger and older children – and the fact that it takes place on a “real” ship makes it all the more exciting.



© Richter Spielgeräte GmbH 06/22



Fundamental characteristics

- Impressive design statement
- Very special appeal
- Eye-catcher of a play area
- Attractive meeting point
- Wooden surface for tactile sensory appeal
- Large play area in the hull
- Incentive for playing: role-playing games, hiding, observing
- Movement: climbing up and around

Recommended for

- School children
- Young people
- Public play areas without supervision, such as playgrounds, parks or similar
- Leisure parks

Ship "Nil-Galley"

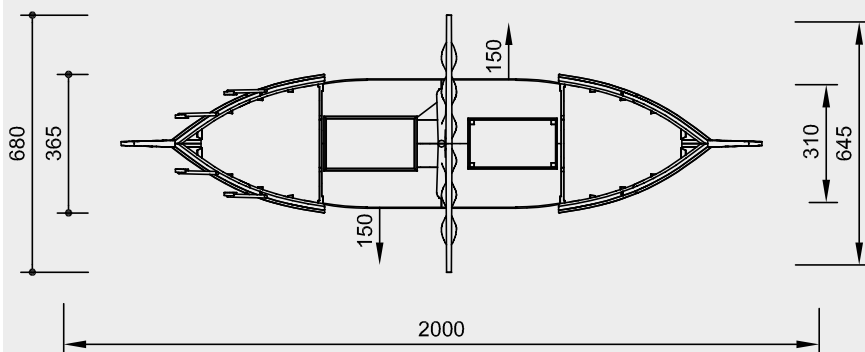
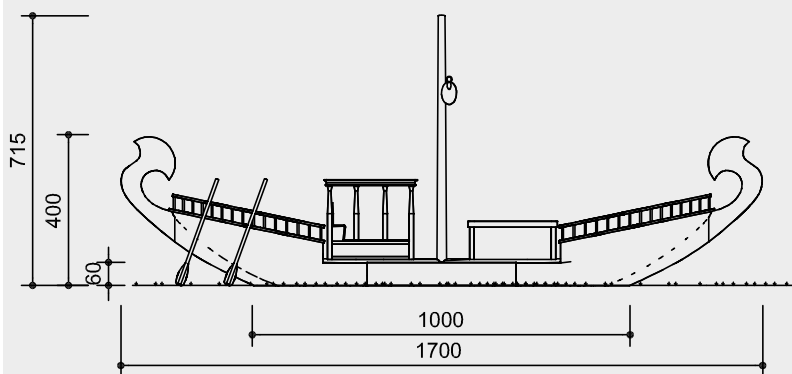


8.02020

Design G. Beltzig

Order No. 8.02020
Ship "Nil-Galley"

Safety distance →
 Device dimensions ●
 Functional distance —



Scale 1:200

Safety check according to DIN EN 1176

Components

- 1 Ship
- 1 Cabin
- 2 Masts
- 1 Sail
- 4 Wooden rudders, rigidly fixed

Installation information

Surfacing requirements corresponding to a fall height of ≤ 0.60 m (please refer to price list for more detailed information)

Foundations
 8 items 50 x 50 x 60 cm
 Excavation depth 100 cm

Attention:
Exact measurements may vary;
for all installation dimensions refer to current assembly instructions.
 Technical changes reserved.

Technical information

Masts and oars made of larch, other wooden parts made of oak

Bevel cut

Vertical stand posts with bevelled end grain section as constructive wood preservation measure



Core-free

Sawn-timbers core-free, thus decreasing occurrences of cracking and undesired changes in shape



Laminated wood beams

Laminated wood beams made of non-impregnated larch, glued according to EN 14080:2013; for very large timber cross-sections; comparatively low shrinkage, almost completely free of cracks



Hardwood rungs

Climbing rungs made of hardwood (ash) Ø 4.2 cm, milled and mortised, secured against twisting, easy to grip and not cold for children to touch



Rope connection with joint

Close-fitting connection with joint, without dangerous openings, with sintered bush and adjustable screw connection



Profiled washer

Profiled washer for covering protruding screw heads according to standard, improved pressure distribution and protection against water. Impedes loosening the bolt



For more detailed explanation of the quality characteristics see price list.

Sail made of canvas, sewn with UV-resistant thread, attached to the cross poles with 16 mm PP ropes.

Ornaments with finish at bow and stern with moulded parts made of stainless steel.

Four wooden rudders, rigidly attached to the hull

Dimensions

(small deviations possible)

| | |
|------------------|--------|
| Height | 7.15 m |
| Length | 17 m |
| Width incl. Yard | 6.80 m |



8.02020