



Photo © Paul Upward



Order No. 5.28031 Bar Gate

Play value

Children particularly enjoy damming water. Opening the bar gate gives them the opportunity to learn about the power of water in a playful way, so they learn how to handle the living force of the element water. They are able to experience how a dam works and can observe how the water builds up.

Fundamental characteristics

- Easy handling
- Sturdy construction

Recommended for

- Kindergarten children
- Supervised play areas, such as kindergartens, schools, after-school programmes or similar
- Public play areas without supervision, such as playgrounds, parks or similar
- Water play areas without supervision

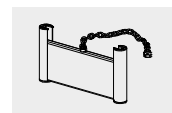


Order No. 5.28031 Bar Gate, Photo © Daniel Perales

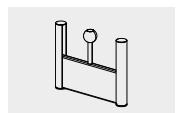
**Board Gate
Bar Gate**



Order No. 5.28030 Board Gate

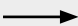

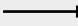


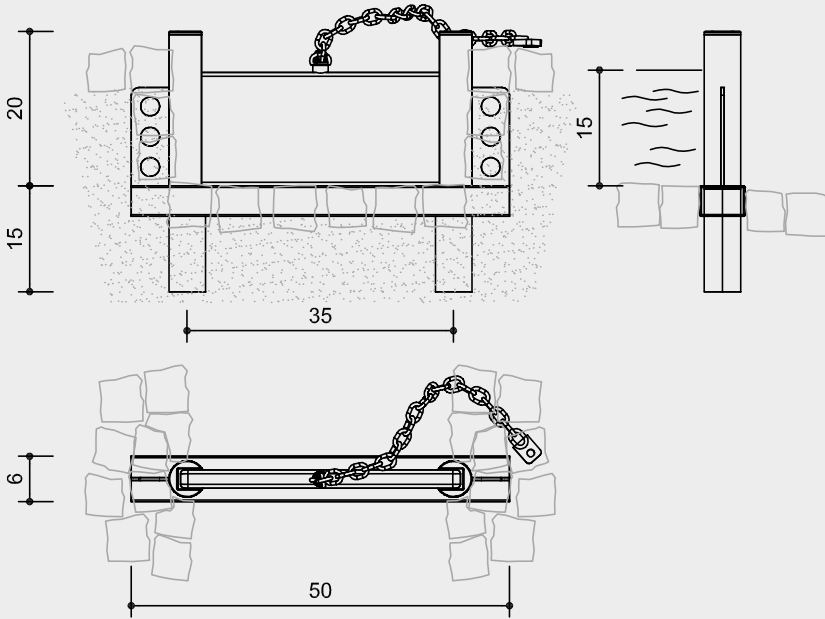
5.28030



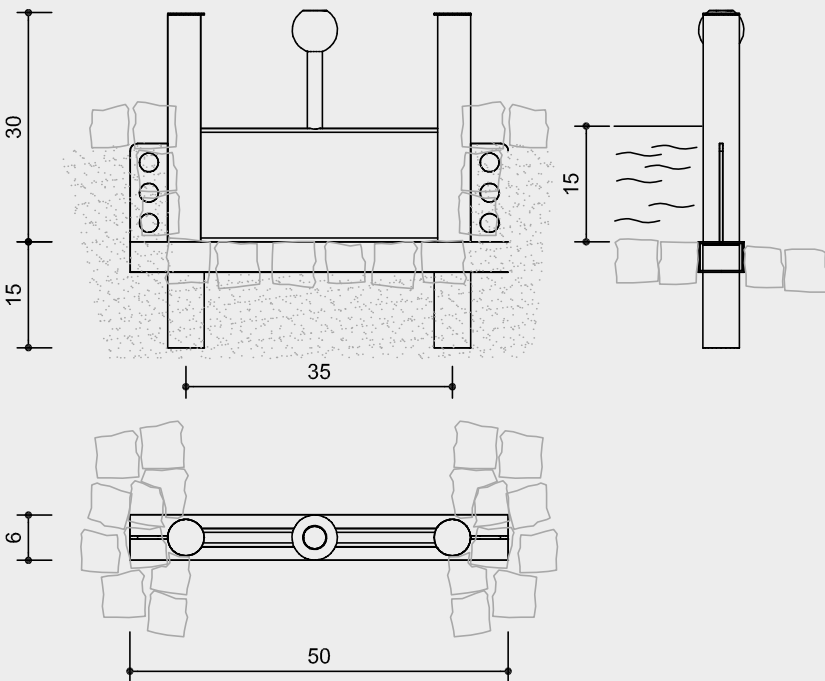
5.28031

Order No. 5.28030
Board Gate

Safety distance 
Device dimensions 
Functional distance 



Order No. 5.28031
Bar Gate



Technical information

All metal parts are made of stainless steel, glass-bead blasted

Order No. 5.28030
Board Gate

Board made of impact-resistant, coloured-through, PUR plastic parts, black

Order No. 5.28031
Bar Gate

Board and ball head made of impact-resistant, coloured-through PUR plastic parts, black

Dimensions

(small deviations possible)

Order No. 5.28030
Board Gate

Height	0.20 m
Width	0.50 m
Damming height	0.15 m
Weight	7 kg

Order No. 5.28031
Bar Gate

Height	0.30 m
Width	0.50 m
Damming height	0.15 m
Weight	8 kg

Components

1 Part each
Registered Design
40 2020 202 215.6 Germany

Installation information

Surfacing requirements
Recommendation: Surface of reinforced watercourse

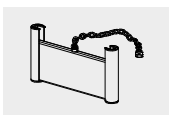
All equipment can be easily installed into any artificial watercourse.

Foundations
According to installation situation.

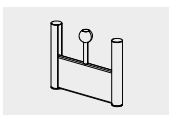
Attention:
Exact measurements may vary; for all installation dimensions refer to current assembly instructions.
Technical changes reserved.
For use in aggressive environments such as salt or chlorine water, the equipment is also available in marine grade steel (V4A).

Scale 1:10

Safety check according to DIN EN 1176



5.28030



5.28031