



**Play value**

People and in particular children get a lot of enjoyment out of diverting the flow of water, making it flow faster or slower or damming it. The playing observer is able to experience different impressions from the shapes that form during the process.

**Fundamental characteristics**

- Easy handling
- Sturdy construction

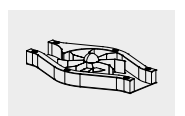
**Recommended for**

- Kindergarten children
- Supervised play areas, such as kindergartens, schools, after-school programmes or similar
- Public play areas without supervision, such as playgrounds, parks or similar
- Waterplay areas without supervision

**Planning information**

A proper upstream and downstream ground profile is necessary to guarantee that the Horizontal Millwheel functions correctly. For more detailed information, please request assembly instructions.

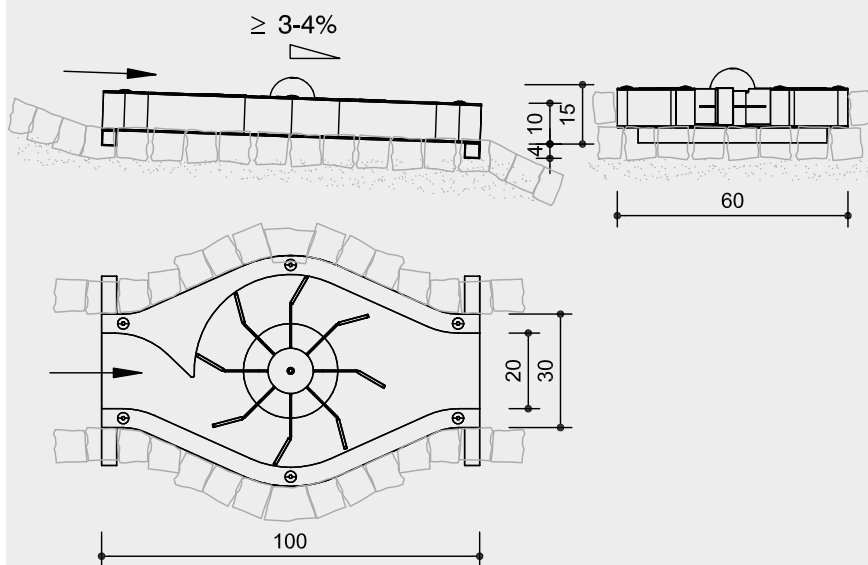
**Horizontal Millwheel**



5.28020

**Order No. 5.28020**  
**Horizontal Millwheel**

Safety distance   
 Device dimensions   
 Functional distance 



Scale 1:20

Safety check according to DIN EN 1176

**Components**

- 1 Horizontal Millwheel  
**Registered Design**  
 40 2020 202 219.9 Germany

**Installation information**

Surfacing requirements  
 Recommendation: Surface of reinforced watercourse.  
 All equipment can be easily installed into any artificial watercourse.

Foundations  
 according to installation situation.  
 No fall height according to standard.

**Attention:**  
**Exact measurements may vary;**  
**for all installation dimensions refer**  
**to current assembly instructions.**  
 Technical changes reserved.  
**For use in aggressive environments**  
**such as salt or chlorine water, the**  
**equipment is also available in marine**  
**grade steel (V4A).**

**Technical information**

Equipment made of stainless steel,  
 glass-bead blasted

**Roller bearings**

High-quality roller bearings made  
 of chrome steel or stainless steel for  
 rotating elements, easy to maintain and  
 exchange, sealed



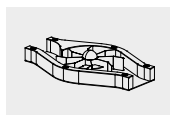
**For more detailed explanation of the**  
**quality characteristics see price list.**

Structure made of glass-bead blasted  
 stainless steel and impact-resistant,  
 coloured-through PUR plastic (body),  
 black, with PUR plastic ends as clamping  
 protection

**Dimensions**

(small deviations possible)

Height	0.15 m
Length	1.00 m
Width	0.60 m
Weight	50 kg



**5.28020**