

Play value

Even small children can operate our lever pump and convey water. The pump resistance as well as the flow rate per stroke can be varied. The design and easy operation make it very suitable for children. Hydraulic oil is pumped in an enclosed circuit. The degree of pumping difficulty can be adjusted to a child's strength. The flowing hydraulic oil opens the water valve for a short period of time and then automatically – can also be adjusted – closes again. The water is of drinking quality up until the water leaves the valve; there is no residual water left in the pump.

Recommended for

- Kindergarten children
- Supervised play areas, such as kindergartens, schools, after-school programmes or similar
- Public play areas without supervision, such as playgrounds, parks or similar
- Water play areas without supervision

Barrier-free

- Independent play



Photo © Paul Upward

Planning information

The length of the run-out tube can be changed against surcharge.

Individual solutions for the water supply must be devised, depending on the plans. Up-to-date details on the connection for the water supply and other technical information is available to download as a table at our website www.richter-spielgeraete.de.

**Lever Pump
Foundation Anchor**



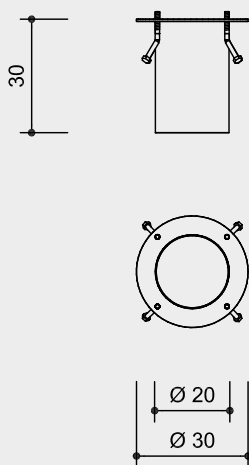
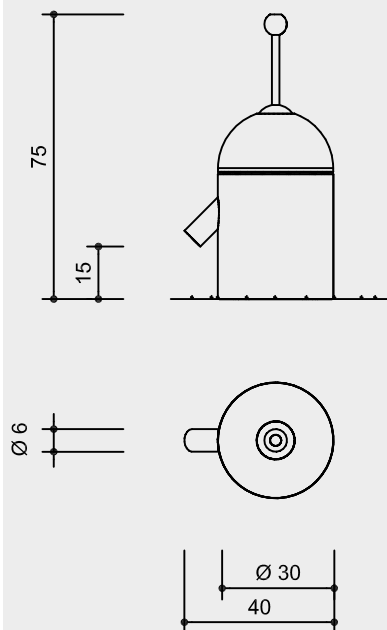
5.28000 / 5.28002



5.28003

**Order No. 5.28000 / 5.28002
Lever Pump**

**Order No. 5.28003
Foundation Anchor**



Safety distance →
Device dimensions —●—
Functional distance —|—

Scale 1:20

Safety check according to DIN EN 1176

Components

**Order No. 5.28000 / 5.28002
Lever Pump**

1 Lever Pump
with winter lid
Patent

10 2012 000 359 Germany

Registered Design

40 2020 202 219.9 Germany

**Order No. 5.28003
Foundation Anchor**

1 Foundation Anchor

Installation information

Surfacing requirements
Recommendation: paving stone or similar
with gully. The lever pump is designed
for installation on natural stone, pedestal
or similar.

During the period of frost, the pump
mechanism must be removed. To remove
the mechanism, the control line can
be disconnected using a quick-release
coupling.

Foundation Anchor,
see **Order No. 5.28003**
(not included in the components of the
pump).

Foundations
1 item 50 x 50 x 40 cm
Excavation depth 40 cm

Attention:
**Exact measurements may vary, for
all installation dimensions refer to
current installation instructions.**
Technical changes reserved.
**For use in aggressive environments
such as salt or chlorine water, the
equipment is also available in marine
grade steel (V4A).**

Technical information

Equipment made of stainless steel,
glass bead blasted

Ground anchor
All parts used for anchoring to the
ground are made of hot-dip galvanised
steel or stainless steel



Roller bearings
High-quality roller bearings made
of chrome steel or stainless steel for
rotating elements, easy to maintain and
exchange, sealed



**For more detailed explanation of the
quality characteristics see price list.**

The ball head is made of impact-resistant,
coloured-through, PUR plastic, black

Enclosed pump with water valve for
direct connection to mains water (2.5 - 6
bar), connection thread 1 inch inside
(we recommend a compression proof
diameter 3/4 inch), water requirement
approx. 80l/min

Pump capacity and pump swipe resis-
tance infinitely adjustable, up to 80 l per
minute

Pump swipe position rules out risk of
jamming

Order No. 5.28002

General pump specification
as **Order No. 5.28000**, but in addition
with programmable rinsing device for
direct connection to pressure line.

**Order No. 5.28003
Foundation Anchor**

Made of galvanised steel
(not included in the components of the
pump)

Dimensions
(small deviations possible)

**Order No. 5.28000 / 5.28002
Lever Pump**

| | |
|-----------------------|--------|
| Height | 0.75 m |
| Width | 0.40 m |
| Diameter | 0.30 m |
| Run-out tube diameter | 0.06 m |
| Weight | 45 kg |

**Order No. 5.28003
Foundation Anchor**

| | |
|----------|--------|
| Height | 0.30 m |
| Diameter | 0.30 m |
| Weight | 8 kg |



5.28000 / 5.28002



5.28003