

**Play value**

The caterpillar is a friendly play offer for small children. The harmonious appearance of the figure and the way in which it is possible to play from both sides offer a lively and pleasant basis for smaller playing spaces. The space partitions promote communicative play, but also make it possible to create borders and divisions of the play areas. This caterpillar type is equipped with a turntable, a two-way channel and shovels.



**Caterpillar Type 04**

**Fundamental characteristics**

- Friendly appearance
- Sand play equipment

**Recommended for**

- Children under 3 years
- Kindergarten children
- Supervised play areas, such as kindergartens, schools, after-school programmes or similar
- Public play areas without supervision, such as playgrounds, parks or similar

**Planning information**

The angles of the opposing wall elements and their number can be freely selected to a great extent. Both spread-out as well as more compact floor plans can be constructed. By freely selecting and arranging the individual elements, it is possible to carry out planning according to your requirements. The elements can also be used as partitioning play units without caterpillar head and tail.

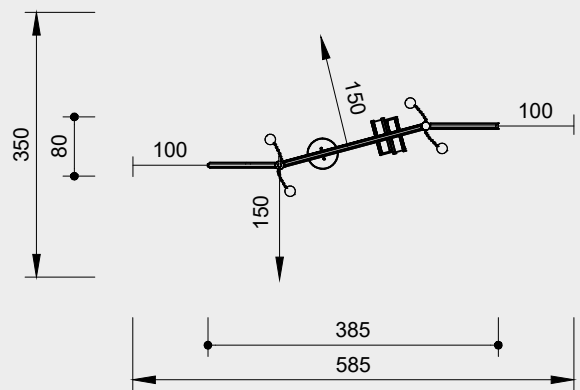
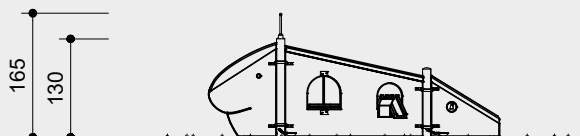
**Note**

In the standard version, only the head and tail use colour in their design. The element installed in between is also available with a coloured trim at extra charge.



**Order No. 5.00025**  
**Caterpillar Type 04**

Safety distance →  
 Device dimensions ●  
 Functional distance —



Scale 1:100

Safety check according to DIN EN 1176

**Components**

- 1 Head with antennae
- 1 Element: turntable, two-way channel and 4 shovels with chain
- 1 Tail with bell
- 2 Steel posts for dowelling and 2 heavy duty anchors

**Installation information**

Surfacing requirements corresponding to a fall height of  $\leq 0.60$  m (please refer to price list for more detailed information)

Foundations  
 2 items 50 x 50 x 40 cm  
 Excavation depth 60 cm  
 2 items 30 x 30 x 30 cm  
 Excavation depth 50 cm

**Attention:**  
**Exact measurements may vary;**  
**for all installation dimensions refer**  
**to current assembly instructions.**  
 Technical changes reserved.

**Technical information**

Equipment made of non-impregnated mountain larch

**Core-free**

Sawn-timbers core-free, thus decreasing occurrences of cracking and undesired changes in shape



**Plywood**

Plywood made of mountain larch, three-layer (3 cm) or five-layer (4 cm). High dimensional stability, waterproof, glued according to DIN EN 13353:2011



**Richter Hercules type rope**

Richter Hercules type rope, a combination of galvanised six-strand steel cables and polyester yarn, diameter > 20 mm, laid and glued with very good abrasion resistance, strong sheathing even in the case of damage by puncturing



**Aluminium rope pressing**

Aluminium rope pressing, cylindrically pressed, with rounded ends



**Ground anchor**

All parts used for anchoring to the ground are made of hot-dip galvanised steel or stainless steel



**Chains**

Chains made of hot-dip galvanized steel (1.4301 / 1.4571 at extra charge) welded before galvanising, short-linked, without eyelets on the connecting parts, easy to exchange and shorten



**For more detailed explanation of the quality characteristics see price list.**

Posts made of stainless steel, glass bead blasted

Bell made of brass

Standard colour rope (antennae): rainbow

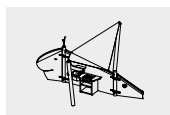
**Colour**

Colouring with solvent-free acrylic paints; the wood is processed in a way that allows the structure of the wood to remain clearly visible

**Dimensions**

(small deviations possible)

Height	1.65 m
Height of head	1.30 m
Length of the element	
Head	1.00 m
Middle part	2.00 m
Tail	1.00 m
Weight	150 kg



5.00025