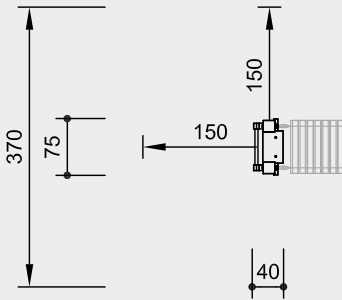
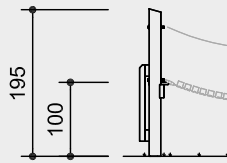


Order No. 3.66033
End Frame with Ladder

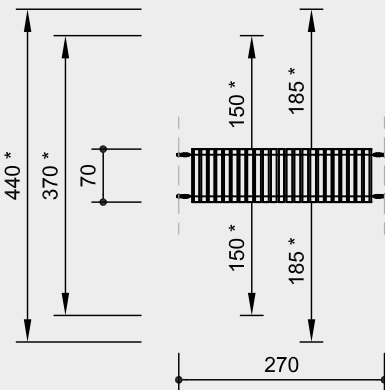
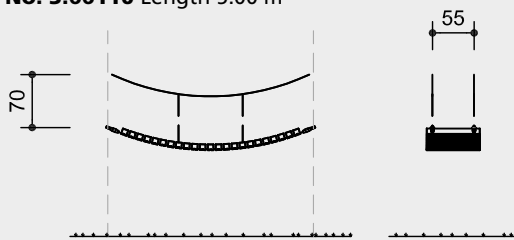


Safety distance →
 Device dimensions —●—
 Functional distance —|—



Order No. 3.66090 - 3.66110
Running Boards for Suspension Bridges with chain handrails

Order No. 3.66090 Length 3.00 m
Order No. 3.66100 Length 4.00 m
Order No. 3.66110 Length 5.00 m



* Depending on the height of installation, the safety distances will increase from a minimum of 1.50 m up to 1.85 m.

Scale 1:100

Safety check according to DIN EN 1176

Components

Order No. 3.66033

1 End frame with steel feet and ladder made of square timber for huts

Order No. 3.66090 - 3.66110

1 Walkway with chain handrails and distance battens

Dimensions

(small deviations possible)

Order No. 3.66033

Weight 100 kg

Order No. 3.66090 / 3.66100 / 3.66110

Walkway length 3.00 / 4.00 / 5.00 m

Walkway width 0.70 m

Running boards 75 x 75 mm

Weight 50 / 65 / 80 kg

Installation information

Surfacing requirements depends on the installation conditions (please refer to price list for more detailed information)

Foundations

Order No. 3.66033

End Frame with Ladder

1 item 120 x 125 x 60 cm

Excavation depth 80 cm

Attention:

Exact measurements may vary; for all installation dimensions refer to current assembly instructions.
 Technical changes reserved.

For more detailed explanation of the quality characteristics see price list.

Technical information

Order No. 3.66033

Equipment made of mountain larch

Bevel cut

Vertical stand posts with bevelled end grain section as constructive wood preservation measure



Core-free

Sawn-timbers core-free, thus decreasing occurrences of cracking and undesired changes in shape



Hardwood rungs

Climbing rungs made of hardwood (ash) Ø 4.2 cm, milled and mortised, secured against twisting, easy to grip and not cold for children to touch



Plywood

Plywood made of mountain larch, three-layer (3 cm) or five-layer (4 cm). High dimensional stability, waterproof, glued according to DIN EN 13353:2011



Profiled washer

Profiled washer for covering protruding screw heads according to standard, improved pressure distribution and protection against water. Impedes loosening the bolt



Adjustable

Adjustable two-piece bolt connection, easy to maintain, no projecting threads



Ground anchor

All parts used for anchoring to the ground are made of hot-dip galvanised steel or stainless steel



Order No. 3.66090 - 3.66110

Running boards made of mountain larch

Core-free

Sawn-timbers core-free, thus decreasing occurrences of cracking and undesired changes in shape



Rope connection with joint

Close-fitting connection with joint, without dangerous openings, with sintered bush and adjustable screw connection



Sintered bush

For all reciprocating movements we use sintered plain bearings which are self-lubricating in use and can easily be exchanged if necessary

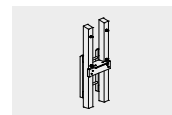


Stainless Chains

Chains made of steel with high corrosion resistance. Short-linked, without eyelets on the connecting parts, easily replaceable and simple shortening



Carrying rope Ø 18 mm of Hercules type with steel core, suspended on drop-forged joints

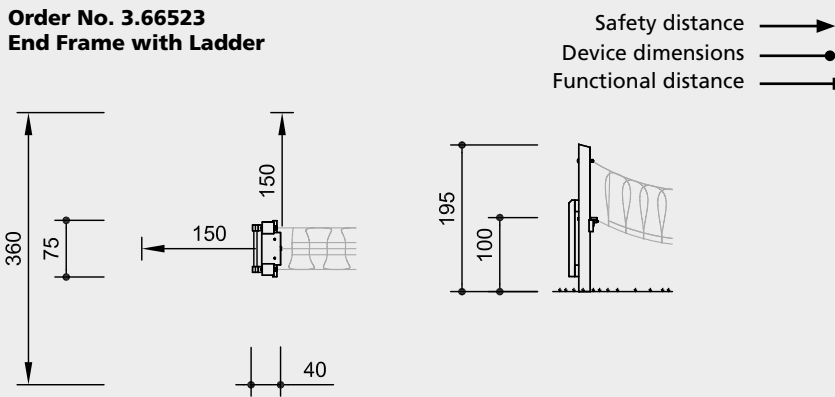


3.66033



3.66090 - 3.66110

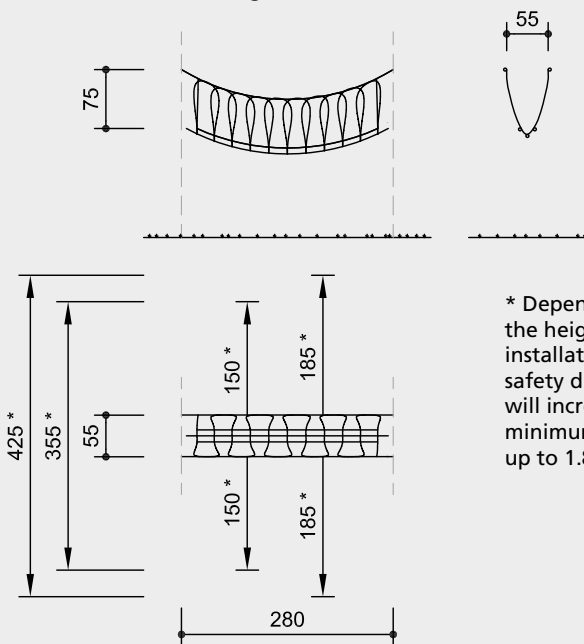
Order No. 3.66523
End Frame with Ladder



Safety distance →
Device dimensions —●—
Functional distance —|—

Order No. 3.66530 - 3.66570
Rope Bridge

- Order No. 3.66530** Length 2.00 m
- Order No. 3.66550** Length 3.00 m
- Order No. 3.66560** Length 4.00 m
- Order No. 3.66570** Length 5.00 m



Scale 1:100

Safety check according to DIN EN 1176

Components

Order No. 3.66523
1 End frame with steel feet and ladder made of square timber for huts

Order No. 3.66530 - 3.66570
1 Rope bridge with distance battens

Dimensions
(small deviations possible)

Order No. 3.66523
Weight 100 kg

Order No. 3.66530 / 3.66550 / 3.66560 / 3.66570
Walkway length 2.00 / 3.00 / 4.00 / 5.00 m
Walkway width 0.55 m
Weight 27 / 40 / 53 / 66 kg

Installation information

Surfacing requirements corresponding to a fall height of depends on the installation conditions (please refer to price list for more detailed information)

Foundations
Order No. 3.66523
End Frame with Ladder
1 item 120 x 125 x 60 cm
Excavation depth 80 cm

Attention:
Exact measurements may vary; for all installation dimensions refer to current assembly instructions.
Technical changes reserved.

Technical information

Order No. 3.66523
Equipment made of mountain larch

Bevel cut
Vertical stand posts with bevelled end grain section as constructive wood preservation measure



Core-free
Sawn-timbers core-free, thus decreasing occurrences of cracking and undesired changes in shape



Hardwood rungs
Climbing rungs made of hardwood (ash) Ø 4.2 cm, milled and mortised, secured against twisting, easy to grip and not cold for children to touch



Plywood
Plywood made of mountain larch, three-layer (3 cm) or five-layer (4 cm). High dimensional stability, waterproof, glued according to DIN EN 13353:2011



Profiled washer
Profiled washer for covering protruding screw heads according to standard, improved pressure distribution and protection against water. Impedes loosening the bolt



Adjustable
Adjustable two-piece bolt connection, easy to maintain, no projecting threads



Ground anchor
All parts used for anchoring to the ground are made of hot-dip galvanised steel or stainless steel



Order No. 3.66530 - 3.66570

Richter Hercules type rope
Richter Hercules type rope, a combination of galvanised six-strand steel cables and polyester yarn, diameter > 20 mm, laid and glued with very good abrasion resistance, strong sheathing even in the case of damage by puncturing



Aluminium rope pressing
Aluminium rope pressing, cylindrically pressed, with rounded ends



S-connectors
S-connectors Ø 8.1 mm, made of high-quality stainless steel, rounded



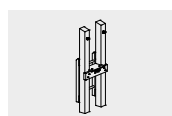
Rope connection with joint
Close-fitting connection with joint, without dangerous openings, with sintered bush and adjustable screw connection



Sintered bush
For all reciprocating movements we use sintered plain bearings which are self-lubricating in use and can easily be exchanged if necessary



For more detailed explanation of the quality characteristics see price list.



3.66523



3.66530 - 3.66570