



Play value

The height required for sliding on Free Standing Slides is achieved very simply by the integral ladder. The relatively steep angle of the slide makes it possible to slide down very quickly and with a lot of momentum.



Free Standing Slide

Fundamental characteristics

- Friendly appearance
- Agreeable design
- Incentive for playing: experiencing height, thrill
- Movement: climbing up, sliding

Recommended for

- Kindergarten children
- School children
- Supervised play areas such as kindergartens, schools, after school programmes or similar
- Public play areas without supervision such as playgrounds, parks or similar

Note on installation

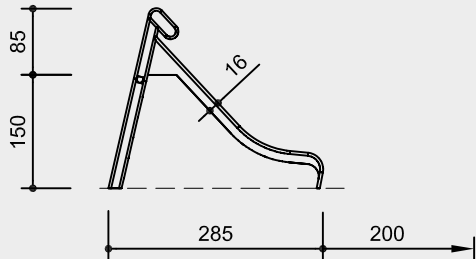
The orientation of the slide to the South has to be avoided because of heating up of the material.



Order No. 3.65600

Free Standing Slide

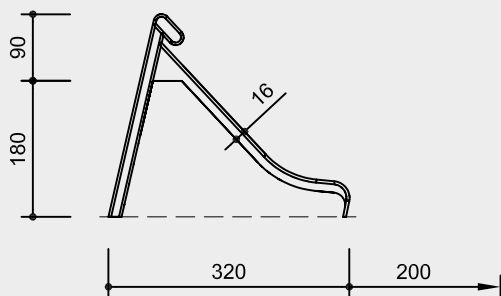
Height 1.50 m



Order No. 3.65610

Free Standing Slide

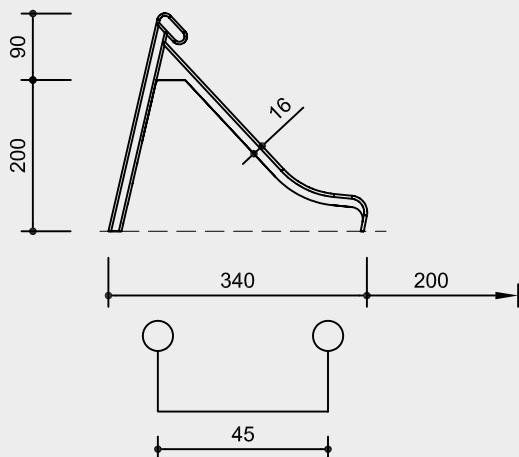
Height 1.80 m



Order No. 3.65620

Free Standing Slide

Height 2.00 m



Scale 1:100

Safety check according to DIN EN 1176

Components

- 1 Free Standing Slide
- 1 Ladder

Installation information

Surfacing requirements corresponding to a fall height of
Order No. 3.65600 ≤ 1.50 m
Order No. 3.65610 ≤ 1.80 m
Order No. 3.65620 ≤ 2.00 m
 (please refer to price list for more detailed information)
 In the run-out area we recommend material such as sand

Foundations
 2 items 70 x 35 x 40 cm
 excavation depth 80 cm

Attention:
Exact measurements may vary;
for all installation dimensions refer
to current assembly instructions.
 Technical changes reserved.

Technical information

Total construction of the slides made of stainless steel

Thickness of slide metal and sides 2 mm

Handrail tube of slide Ø 42 mm

Gandrail tube of ladder and rungs
 Ø 33,7 mm

Side height 16 cm

Dimensions see sketches
 (small deviations possible)

Order No.	Weight
3.65600	100 kg
3.65610	110 kg
3.65620	120 kg



3.65600 - 3.65620